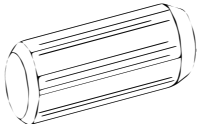
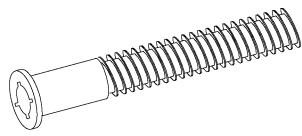
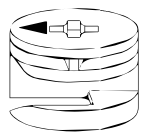
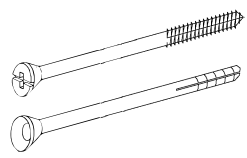
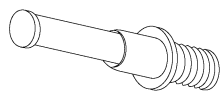

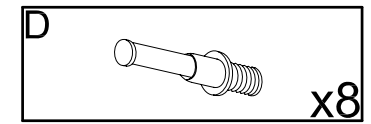
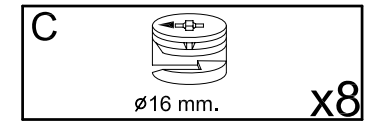
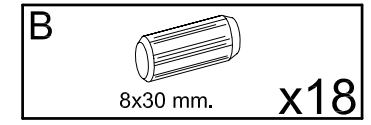
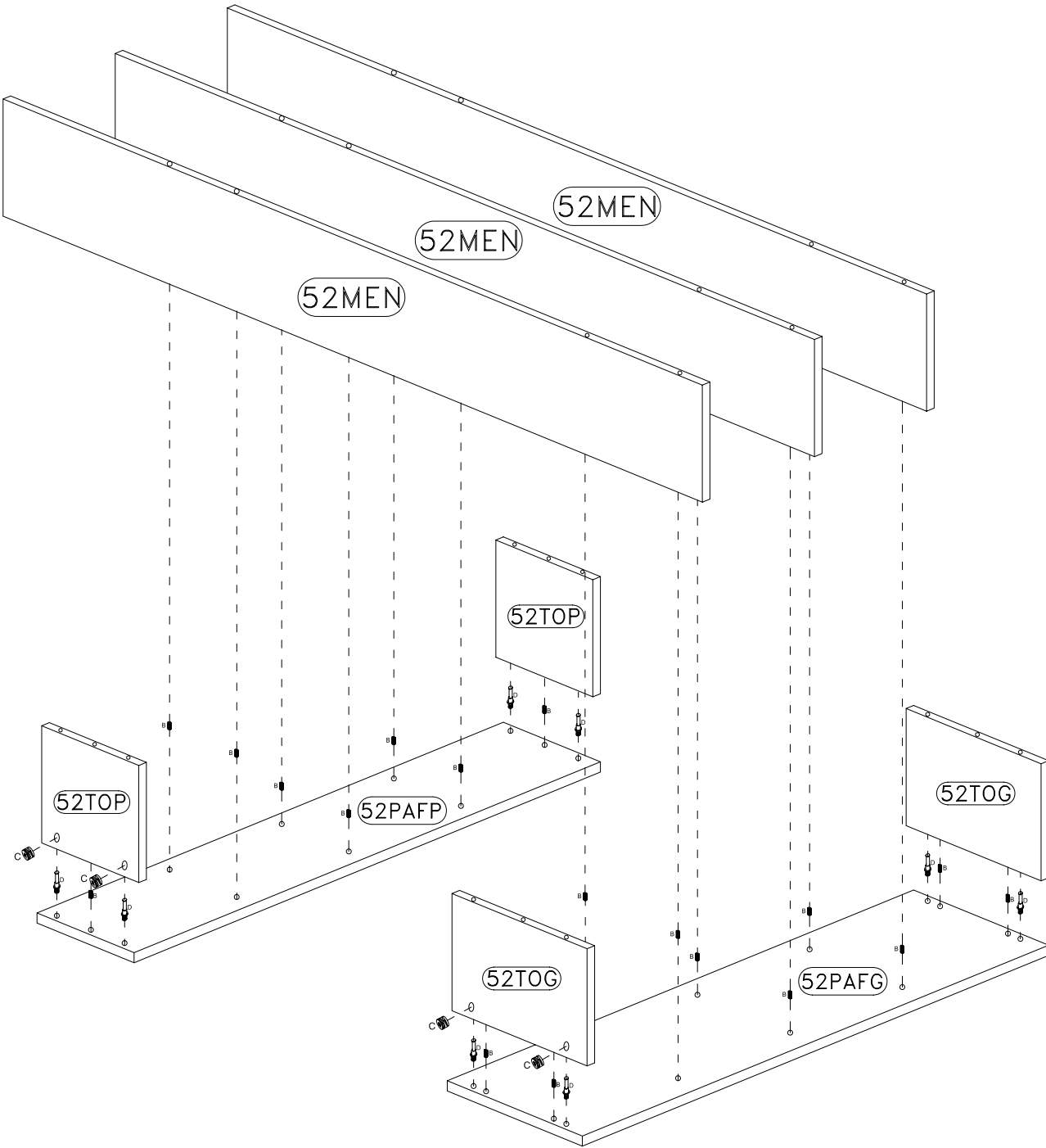
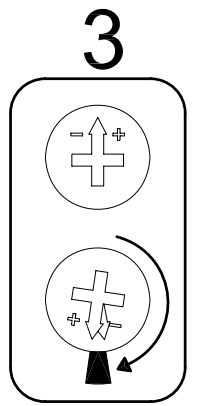
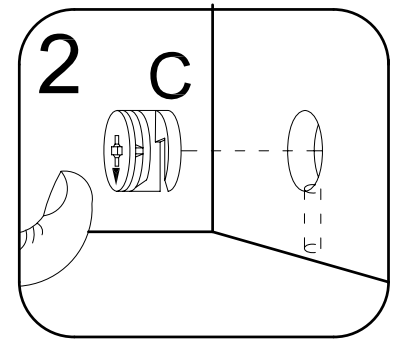
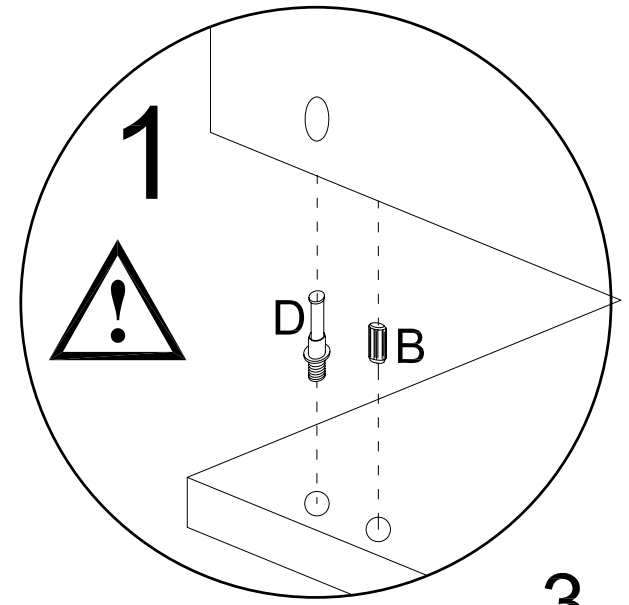


<b>B</b>		<b>x18</b>	<b>E</b>		<b>x22</b>
	8x30 mm.			7x60 mm.	
<b>C</b>		<b>x8</b>	<b>P40</b>		<b>x6</b>
	∅16 mm.				
<b>D</b>		<b>x8</b>	<b>P15</b>		<b>x6</b>
			∅13 mm.		

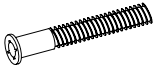
# 1



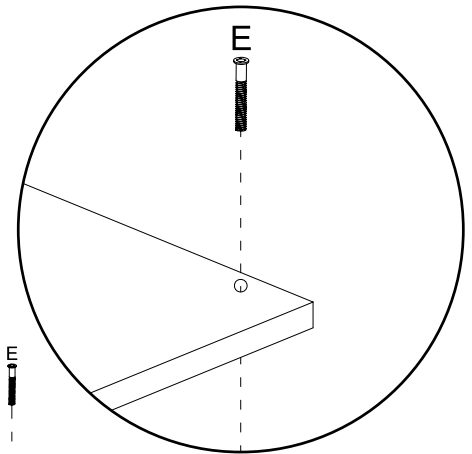
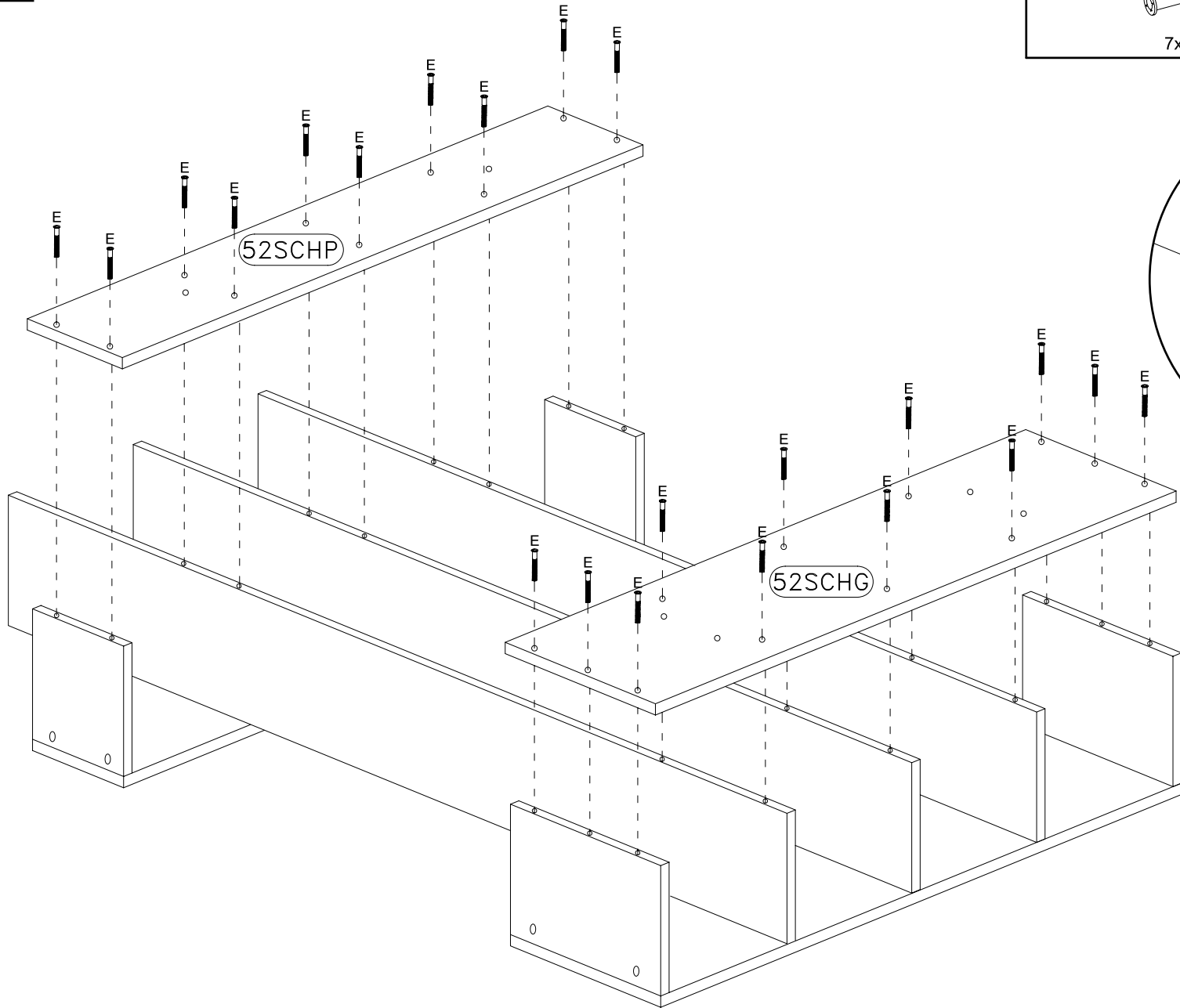
3/6



2

E  7x60 mm. x22

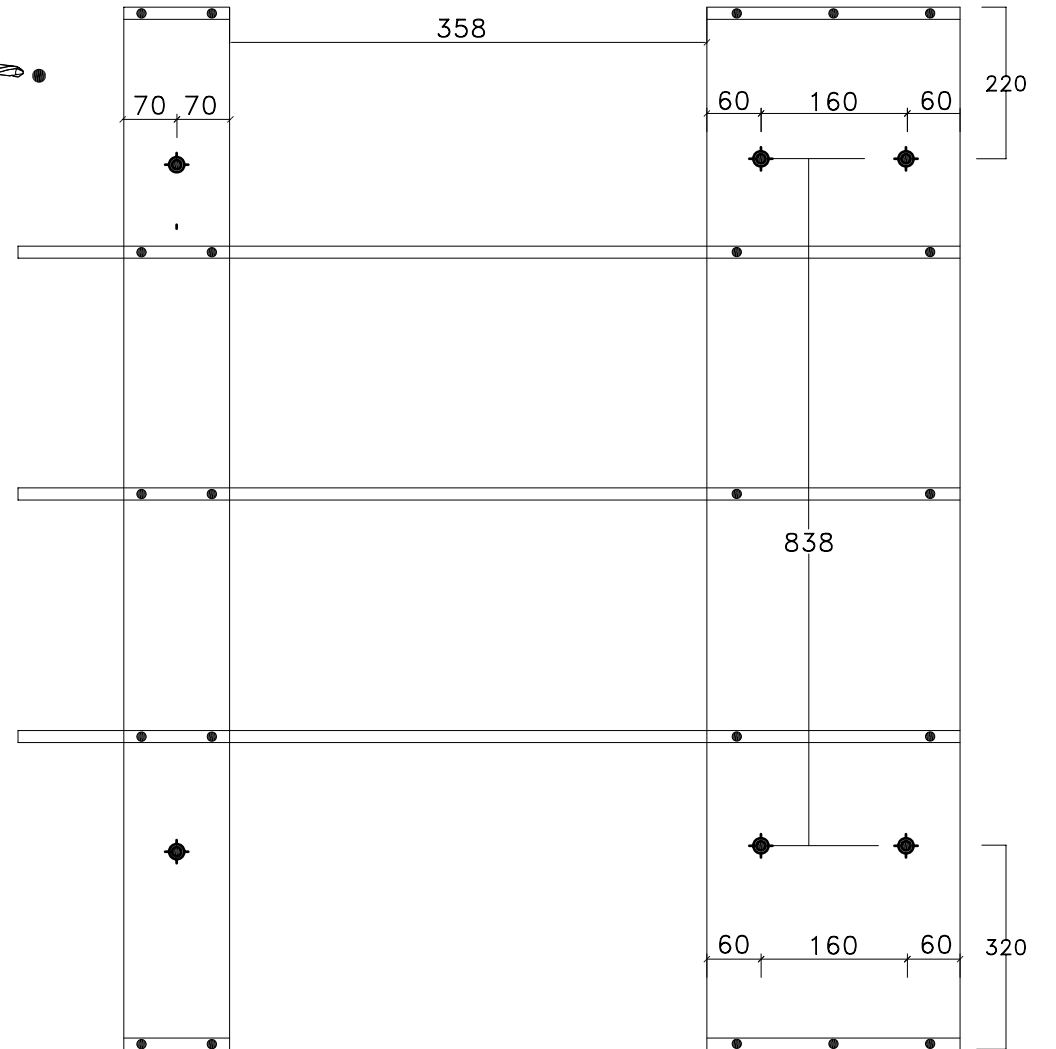
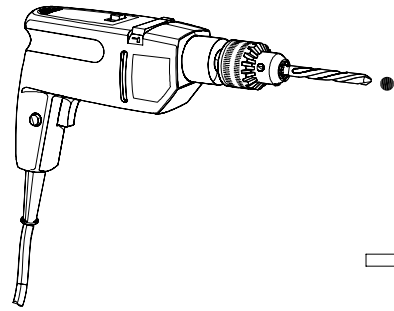
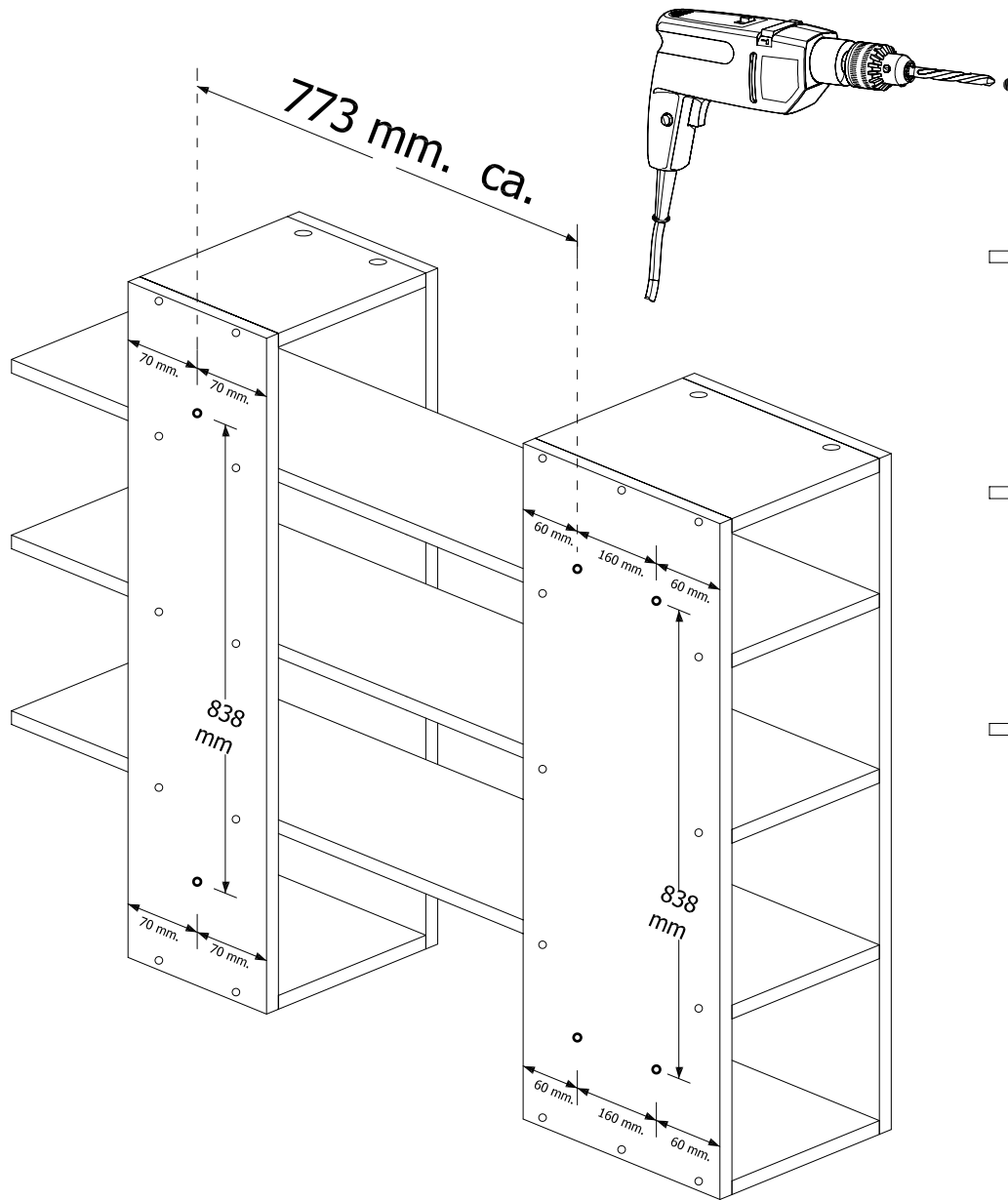
4/6



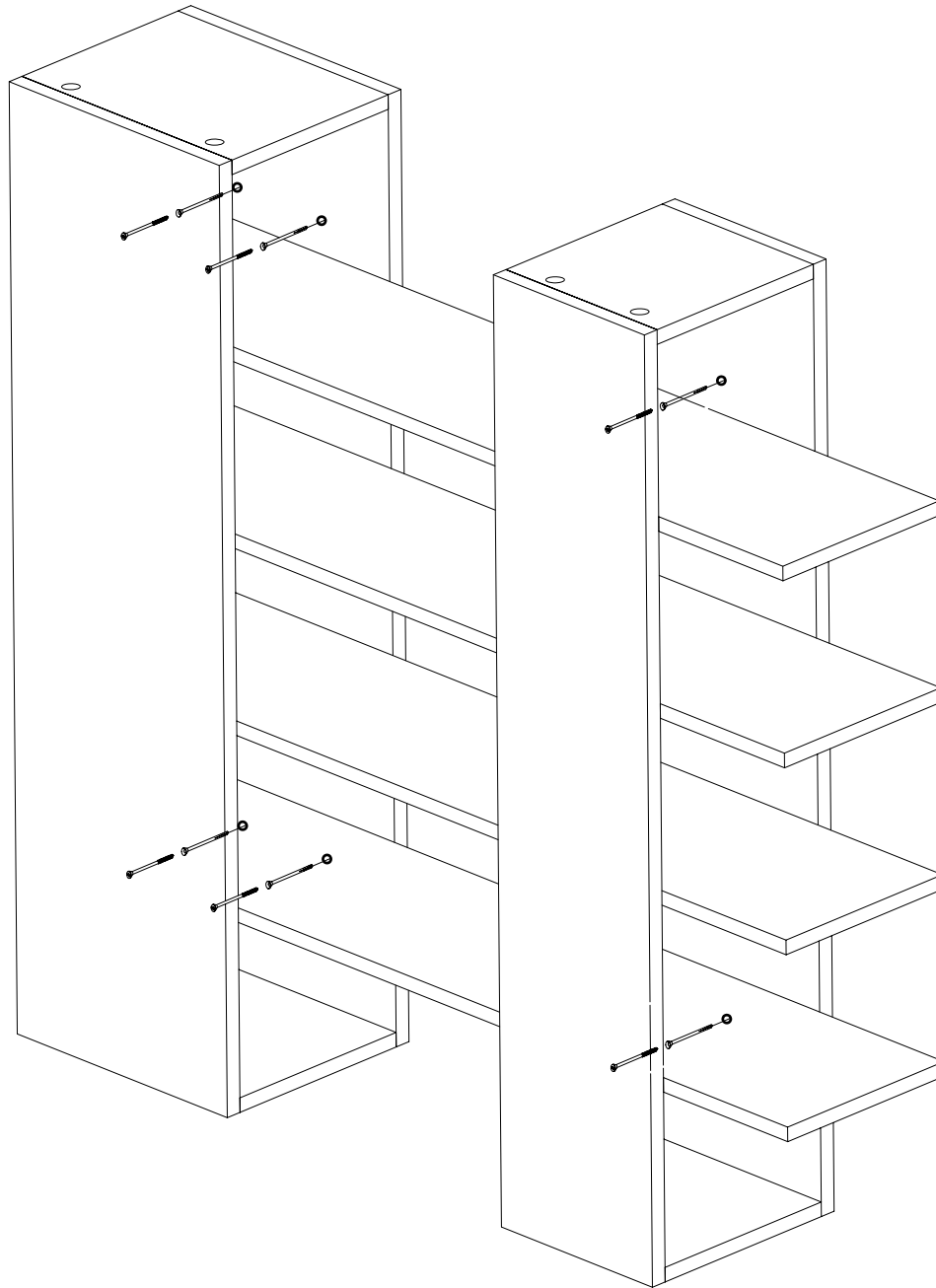
3

Ø8mm

5/6



4



6/6

